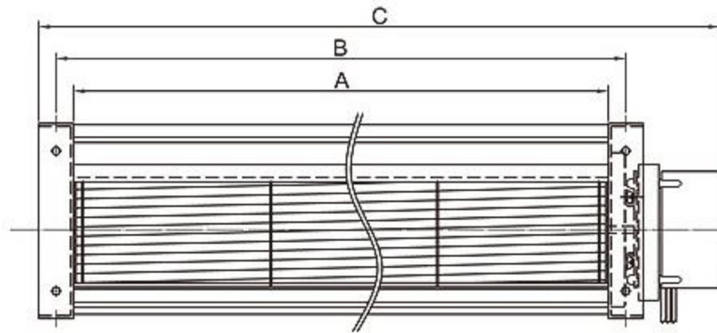
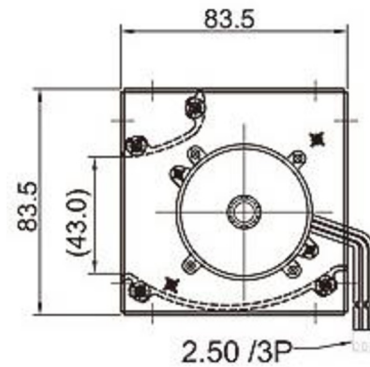




CD060HT- Series



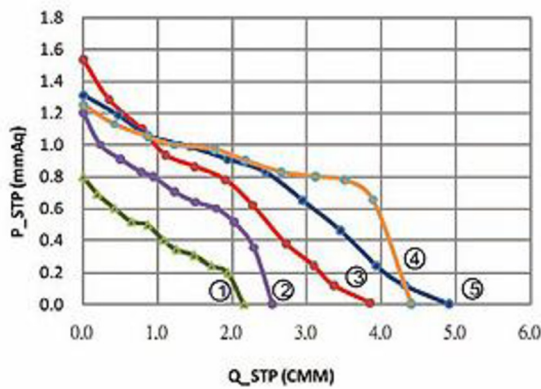
Size	Ø60mm
Housing	Aluminum
Impeller	Aluminum
Motor	DC Brushless 3 Phase Motor
Operating Temp.	0°C~+45°C
Insulation	Class A



Model Number	Size (mm)			Voltage (V)	VC (V)	Current (A)	Power (W)	Speed (RPM)	Air Flow (CFM)	Pressure (mmH2O)	Noise dB(A)	Weight (g)
	A	B	C									
CD06030V24BLVHT	306	321	372	24	DC 0~10V	0.23	5.52	1800	74 ○,1	0.8	33	840
CD06030V24BHVHT	306	321	372	24	DC 0~10V	0.37	8.88	2200	88 ○,2	1.2	41	840
CD06042V24BLVHT	426	441	492	24	DC 0~10V	0.35	8.40	1800	134 ○,3	1.5	37	970
CD06042V24BHVHT	426	441	492	24	DC 0~10V	0.57	13.68	2200	155 ○,4	1.2	42	970
CD06060V24BLVHT	606	621	671	24	DC 0~10V	0.47	11.28	1800	173 ○,5	1.3	38	1100

_ for B / S = Ball Bearing / Sleeve Bearing

Air Performance



Wiring Diagram

