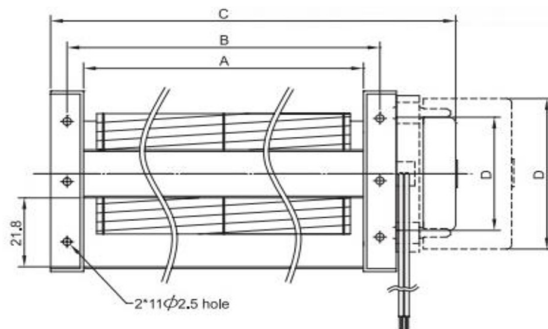
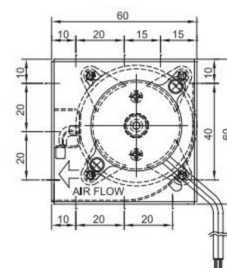




# CD040E / CD0403E / CD0403F- Series

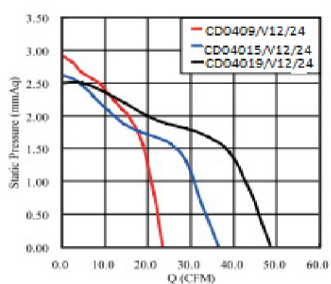


Size	Ø40mm
Housing	Aluminum
Impeller	Aluminum
Motor	CD 040E - DC Brushless type CD0403E – DC 3-Phase-Motor CD0403F – DC 3-Phase-Motor
Operating Temp.	0°C ~ +45°C
Insulation	Class A



Model Number	Size (mm)			Voltage (V)	Current (A)	Power (W)	Speed (RPM)	Air Flow (CFM)	Pressure (mmH2O)	Noise dB(A)	Weight (g)
	A	B	C								
CD04009V12BHWE	98	108	144	12	0.20	2.40	3000	25	2.9	33	220
CD04009V24BHWE				24	0.15	3.6					
CD04015V12BHWE	160	170	206	12	0.25	3.0	2600	39	2.6	31	260
CD04015V24BHWE				24	0.20	4.80					
CD04019V12BHWE	198	208	246	12	0.30	3.6	2500	50	2.5	33	310
CD04019V24BHWE				24	0.20	4.8					
CD04029V12BHWE	300	310	348	12	0.40	4.8	2300	74	2.0	33	410
CD04029V24BHWE				24	0.20	4.8					
CD04030V24B3HWE	300	310	348	24	0.30	7.2	2600	92	3.0	39	440
CD04035V24B3HWE	360	370	400		0.32	7.68	2450	106	2.6	38	470
CD04040V24B3HWE	410	420	450		0.34	8.16	2300	124	2.5	37	510
CD403030V24B3HWF (Double Fan)	630	640	660		0.26	6.24	1800	131	1.4	39	690
CD403535V24B3HWF (Double Fan)	730	740	760		0.27	6.48	1750	149	1.4	38	770
CD404040V24B3HWF (Double Fan)	830	840	860		0.28	6.72	1600	163	1.3	37	830

CD0409/15/19E



CD0429/35E

