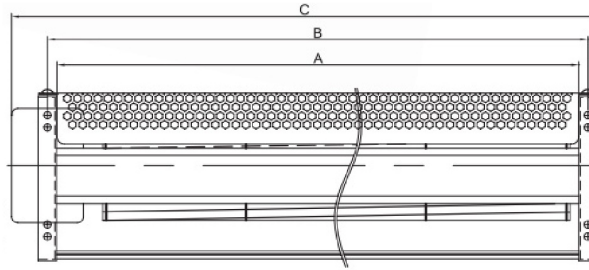
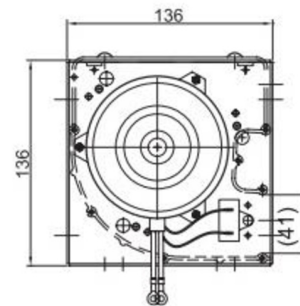




CA090F- Series



Size	∅90mm
Housing	Aluminum
Impeller	Aluminum
Motor	AC Capacity Type
Operating Temp.	0°C~+45°C
Insulation	Class A



Model Number	Size (mm)			Voltage (V)	Frequency (Hz)	Current (A)	Power (W)	Speed (RPM)	Air Flow (m³ / min)	Pressure (mmH2O)	Noise (dB(A))	Weight (kg)
	A	B	C									
CA09031DVBHWF	360	375	415	110	60	0.30	32	1500	6.3	3.1	49	2.5
				120	50/60	0.29/0.32	32/37	1350/1550	5.8/6.6	2.3/3.4	47/53	
				220	50/60	0.15/0.16	29/33	1350/1550	5.8/6.3	2.3/3.1	47/49	
				230	50	0.15	32	1350	5.8	2.3	47	
CA09047VDVBHWF	525	540	580	110	60	0.33	35	1250	8.4	2.6	47	2.9
				120	50/60	0.32/0.36	36/42	1200/1250	8.1/8.4	2.5/3.3	46/47	
				220	50/60	0.16/0.18	32/37	1200/1300	8.1/8.6	2.5/3.0	46/48	
				230	50	0.16	34	1250	8.4	2.6	47	
CA09063VDVBHWF	680	695	756	110	60	0.68	71	1700	15.1	4.2	54	4.4
				120	60	0.70	78	1700	15.1	4.2	54	
				220	50/60	0.38/0.36	59/74	1400/1700	12.9/15.1	3.0/4.2	49/54	
				230	50	0.40	64	1500	13	3.0	50	
CA09088DVBHWF	930	945	1005	110	60	0.80	85	1600	17.9	3.4	56	4.7
				120	60	0.82	93	1600	17.9	3.4	56	
				220	50/60	0.41/0.42	69/88	1400/1700	16.6/19.4	2.8/4.0	52/57	
				230	50	0.43	73	1500	16.8	3.1	54	

_ for B / S = Ball Bearing / Sleeve Bearing

