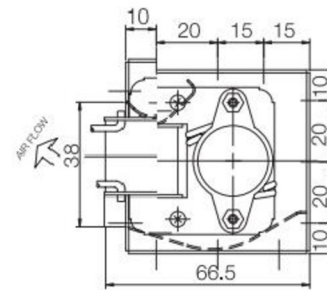
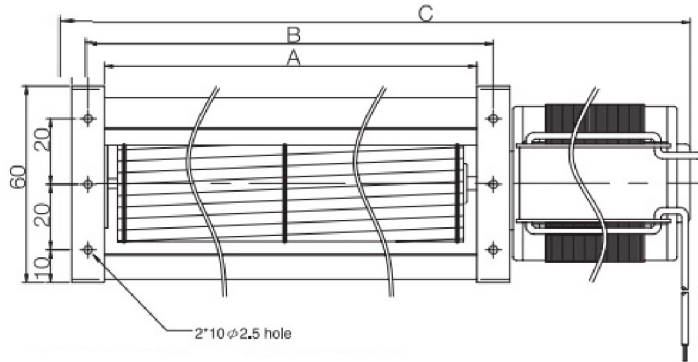




CA043E- Series

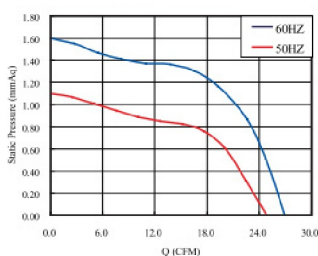


Size	Ø43mm
Housing	Aluminum
Impeller	Aluminum
Motor	AC Shaded Pole Type
Operating Temp.	0°C ~ +45°C
Insulation	Class A

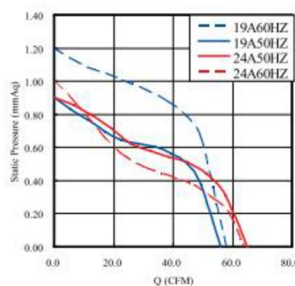
Model Number	Size (mm)			Voltage (V)	Frequency (Hz)	Current (A)	Power (W)	Speed (RPM)	Air Flow (CFM)	Pressure (mmH2O)	Noise (dB(A))	Weight (g)
	A	B	C									
CA04309V11_HWE	98	108	162	120	50/60	0.14/0.12	10/9	2600/3000	25/28	1.1/1.6	33/35	520
CA04309V22_HWE				230	50/60	0.08/0.07	10/9	2600/3000	25/28	1.1/1.6	33/35	
CA04315V11_HWE	160	170	222	120	50/60	0.15/0.13	11/10	2300/2200	42/42	1.2/1.2	35/35	550
CA04315V22_HWE				230	50/60	0.08/0.07	11/10	2500/2500	42/42	1.2/1.2	35/35	
CA04319V11_HWE	198	208	264	120	50/60	0.22/0.19	15/14	2400/2500	53/56	0.9/1.2	32/35	650
CA04319V22_HWE				230	50/60	0.09/0.08	13/12	2300/2000	53/56	0.9/1.2	32/35	
CA04324V11_HWE	250	260	315	120	50/60	0.22/0.20	16/15	2300/2000	67/70	0.9/1.0	34/33	680
CA04324V22_HWE				230	50/60	0.09/0.08	13/12	2200/1800	63/56	0.9/1.0	33/30	
CA04329V11_HWE	300	310	375	120	50/60	0.32/0.29	22/21	2500/2700	88/95	1.2/1.4	38/40	890
CA04329V22_HWE				230	50/60	0.14/0.13	19/18	2500/2500	88/88	1.2/1.4	3.7/37	
CA04335V11_HWE	360	370	435	120	50/60	0.34/0.32	23/23	2500/2500	117/117	1.2/1.3	38/38	920
CA04335V22_HWE				230	50/60	0.15/0.14	20/19	2400/2100	113/88	1.2/1.3	36/33	

_ for B / S = Ball Bearing / Sleeve Bearing

CA04309E



CA04019E



CA04329E

