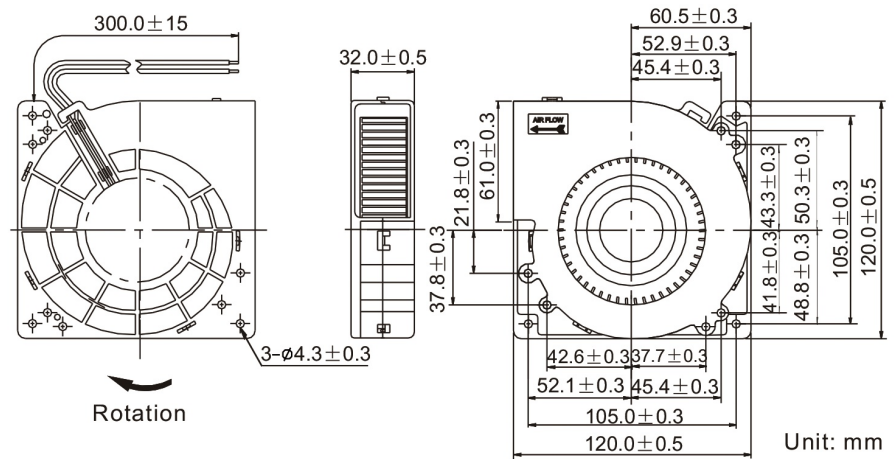


■ Dimensions Drawing

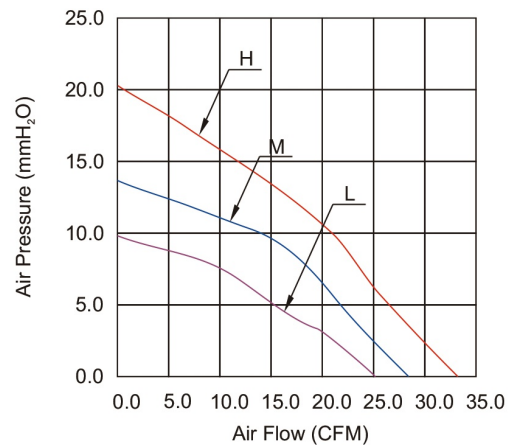


General Specification:

- Frame and Impeller : Thermal Plastic , UL 94V-0
- Lead Wires : UL Type
(+) : Red (-) : Black
- Operation Temperature : -10°C ~ 70°C ,
35% ~ 85%RH
- Storage Temperature : -40°C ~ 80°C ,
35% ~ 85%RH



■ Performance Curves



Listed Model	Bearing System	Rated Voltage	Operation Voltage	Rated Current	Rated Speed	Air Flow	Air Pressure	Noise Level	Available Features (Optional)				Weight g
		VDC	VDC	A	RPM	CFM	mmH ₂ O	dBA	Tachometer Output	Rotation Detector	Thermal Control	Pulse Width Modulation	
RBH1232B	Ball	12	6.0~13.8	0.87	2,100	33.1	20.1	51	•	•			240
RBM1232B			6.0~13.8	0.60	1,800	28.2	13.3	47	•	•			
RBL1232B			6.0~13.8	0.49	1,600	25.0	9.6	45	•	•			
RBH1232B2		24	12.0~27.6	0.50	2,100	33.1	20.1	51	•	•			
RBM1232B2			12.0~27.6	0.35	1,800	28.2	13.3	47	•	•			
RBL1232B2			12.0~27.6	0.28	1,600	25.0	9.6	45	•	•			
RBH1232B4		48	24.0~55.2	0.30	2,100	33.1	20.1	51	•	•			
RBM1232B4			24.0~55.2	0.20	1,800	28.2	13.3	47	•	•			
RBL1232B4			24.0~55.2	0.15	1,600	25.0	9.6	45	•	•			