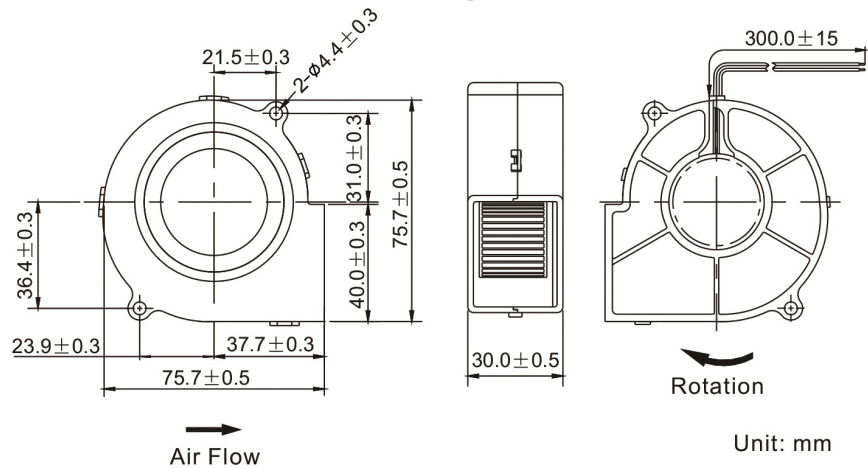
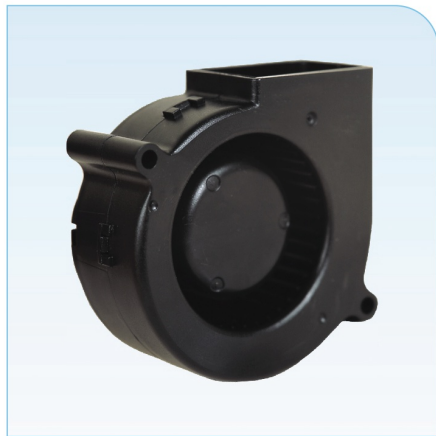
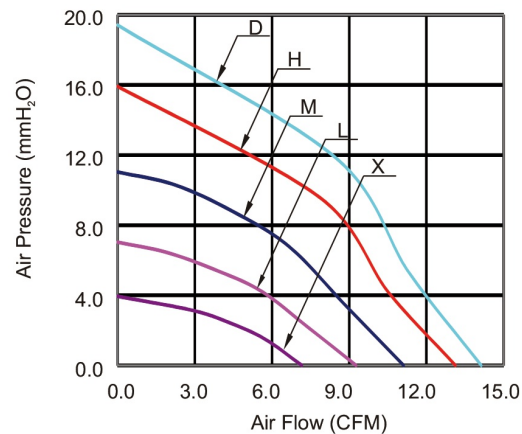


■ Dimensions Drawing



■ Performance Curves



General Specification:

- Frame and Impeller : Thermal Plastic , UL 94V-0
- Lead Wires : UL Type
(+) : Red (-) : Black
- Operation Temperature : -10°C~70°C、
35%~85%RH
- Storage Temperature : -40°C~80°C、
35%~85%RH



Listed Model	Bearing System	Rated Voltage	Operation Voltage	Rated Current	Rated Speed	Air Flow	Air Pressure	Noise Level	Available Features (Optional)				Weight g
		VDC	VDC	A	RPM	CFM	mmH ₂ O	dBA	Tachometer Output	Rotation Detector	Thermal Control	Pulse Width Modulation	
RBD7530S1	Sleeve	12	6.0~13.8	0.50	3,800	14.1	19.4	45	•	•			87
RBH7530S1			6.0~13.8	0.45	3,500	13.1	15.9	43	•	•			
RBM7530S1			6.0~13.8	0.27	3,000	11.1	11.0	38	•	•			
RBL7530S1			6.0~13.8	0.18	2,500	9.3	7.0	33	•	•			
RBX7530S1			6.0~13.8	0.13	2,000	7.2	3.9	26	•	•			
RBD7530B1	Ball		6.0~13.8	0.50	3,800	14.1	19.4	45	•	•			
RBH7530B1			6.0~13.8	0.45	3,500	13.1	15.9	43	•	•			
RBM7530B1			6.0~13.8	0.27	3,000	11.1	11.0	38	•	•			
RBL7530B1			6.0~13.8	0.18	2,500	9.3	7.0	33	•	•			
RBX7530B1			6.0~13.8	0.13	2,000	7.2	3.9	26	•	•			
RBD7530S2	Sleeve	24	12.0~27.6	0.30	3,800	14.1	19.4	45	•	•			
RBH7530S2			12.0~27.6	0.24	3,500	13.1	15.9	43	•	•			
RBM7530S2			12.0~27.6	0.18	3,000	11.1	11.0	38	•	•			
RBL7530S2			12.0~27.6	0.12	2,500	9.3	7.0	33	•	•			
RBX7530S2			12.0~27.6	0.09	2,000	7.2	3.9	26	•	•			
RBD7530B2	Ball		12.0~27.6	0.30	3,800	14.1	19.4	45	•	•			
RBH7530B2			12.0~27.6	0.24	3,500	13.1	15.9	43	•	•			
RBM7530B2			12.0~27.6	0.18	3,000	11.1	11.0	38	•	•			
RBL7530B2			12.0~27.6	0.12	2,500	9.3	7.0	33	•	•			
RBX7530B2			12.0~27.6	0.09	2,000	7.2	3.9	26	•	•			