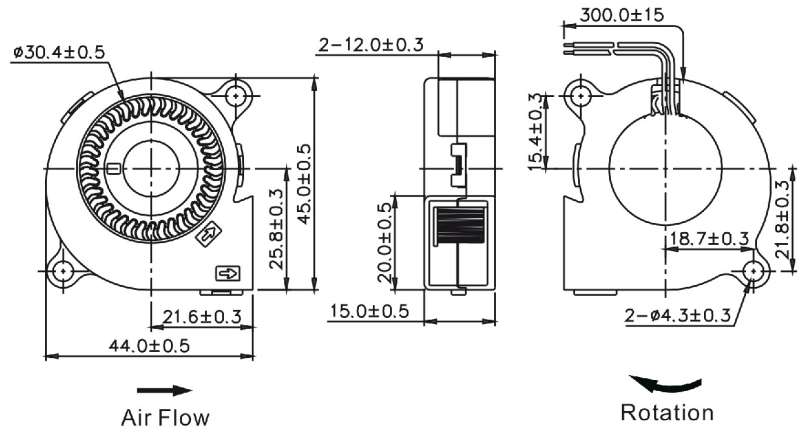


## ■ Dimensions Drawing



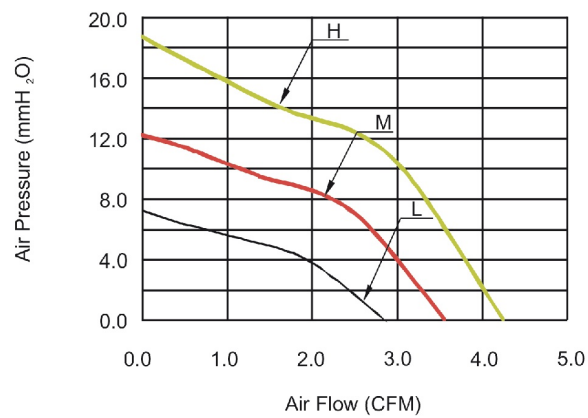
Unit: mm

## General Specification:

- Frame and Impeller : Thermal Plastic , UL 94V-0
- Lead Wires : UL Type  
(+) : Red (-) : Black
- Operation Temperature : -10°C ~ 70°C,  
35% ~ 85%RH
- Storage Temperature : -40°C ~ 80°C,  
35% ~ 85%RH



## ■ Performance Curves



Listed Model	Bearing System	Rated Voltage	Operation Voltage	Rated Current	Rated Speed	Air Flow	Air Pressure	Noise Level	Available Features (Optional)				Weight g
		VDC	VDC	A	RPM	CFM	mmH <sub>2</sub> O	dBA	Tachometer Output	Rotation Detector	Thermal Control	Pulse Width Modulation	
RBH4515S	Sleeve	12	6.0~13.8	0.18	6,500	4.2	18.7	39	•	•		•	20
RBM4515S			6.0~13.8	0.12	5,500	3.5	12.2	34	•	•		•	
RBL4515S			8.0~13.8	0.08	4,500	2.8	7.2	30	•	•		•	
RBH4515B	Ball		6.0~13.8	0.18	6,500	4.2	18.7	39	•	•		•	
RBM4515B			6.0~13.8	0.12	5,500	3.5	12.2	34	•	•		•	
RBL4515B			8.0~13.8	0.08	4,500	2.8	7.2	30	•	•		•	