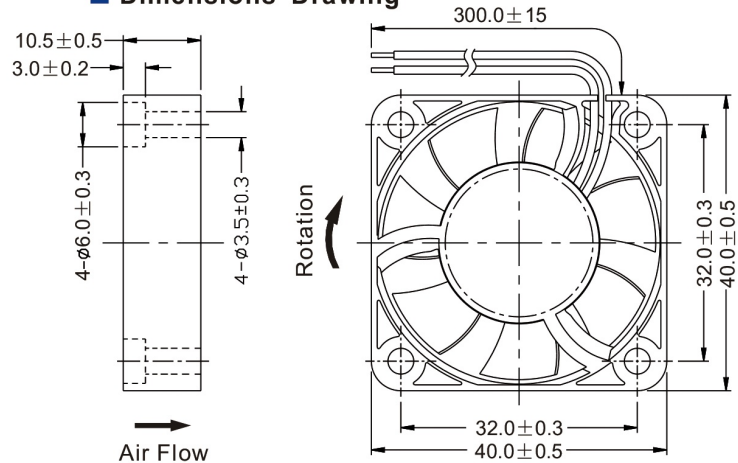


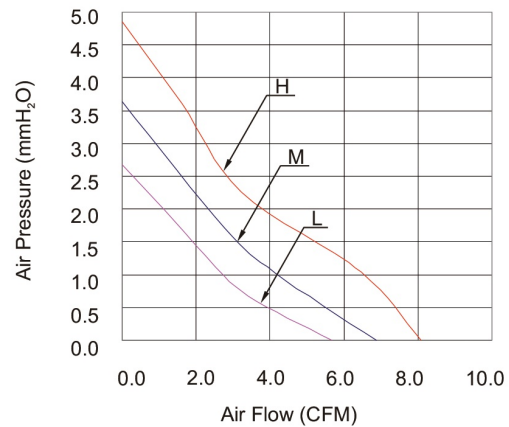


■ Dimensions Drawing



Unit: mm

■ Performance Curves



General Specification:

- Frame and Impeller : Thermal Plastic , UL 94V-0
- Lead Wires : UL Type
(+) : Red (-) : Black
- Operation Temperature : -10°C ~ 70°C ,
35% ~ 85%RH
- Storage Temperature : -40°C ~ 80°C ,
35% ~ 85%RH



Listed Model	Bearing System	Rated Voltage	Operation Voltage	Rated Current	Rated Speed	Air Flow	Air Pressure	Noise Level	Available Features (Optional)				Weight g
		VDC	VDC	A	RPM	CFM	mmH ₂ O	dBA	Tachometer Output	Rotation Detector	Thermal Control	Pulse Width Modulation	
RDH4010S5	Sleeve	5	3.5~5.75	0.20	7,000	8.0	4.8	30	•	•			16
RDM4010S5			3.5~5.75	0.16	6,000	6.8	3.6	27	•	•			
RDL4010S5			3.5~5.75	0.13	5,000	5.6	2.6	23	•	•			
RDH4010B5	Ball		3.5~5.75	0.20	7,000	8.0	4.8	30	•	•			
RDM4010B5			3.5~5.75	0.16	6,000	6.8	3.6	27	•	•			
RDL4010B5			3.5~5.75	0.13	5,000	5.6	2.6	23	•	•			
RDH4010S1	Sleeve	12	6.0~13.8	0.09	7,000	8.0	4.8	30	•	•			
RDM4010S1			6.0~13.8	0.07	6,000	6.8	3.6	27	•	•			
RDL4010S1			7.0~13.8	0.06	5,000	5.6	2.6	23	•	•			
RDH4010B1	Ball		6.0~13.8	0.09	7,000	8.0	4.8	30	•	•			
RDM4010B1			6.0~13.8	0.07	6,000	6.8	3.6	27	•	•			
RDL4010B1			7.0~13.8	0.06	5,000	5.6	2.6	23	•	•			
RDH4010S2	Sleeve	24	12.0~27.6	0.09	7,000	8.0	4.8	30	•	•			
RDM4010S2			12.0~27.6	0.06	6,000	6.8	3.6	27	•	•			
RDL4010S2			16.0~27.6	0.05	5,000	5.6	2.6	23	•	•			
RDH4010B2	Ball		12.0~27.6	0.09	7,000	8.0	4.8	30	•	•			
RDM4010B2			12.0~27.6	0.06	6,000	6.8	3.6	27	•	•			
RDL4010B2			16.0~27.6	0.05	5,000	5.6	2.6	23	•	•			