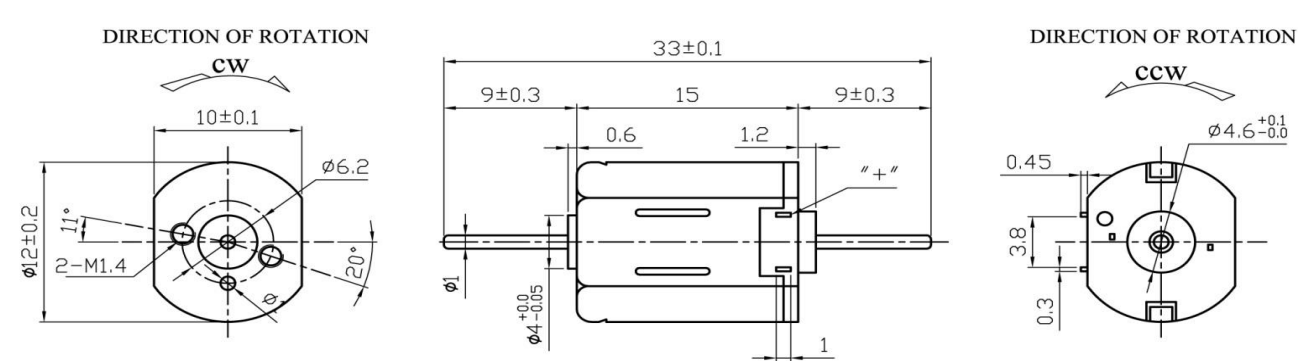
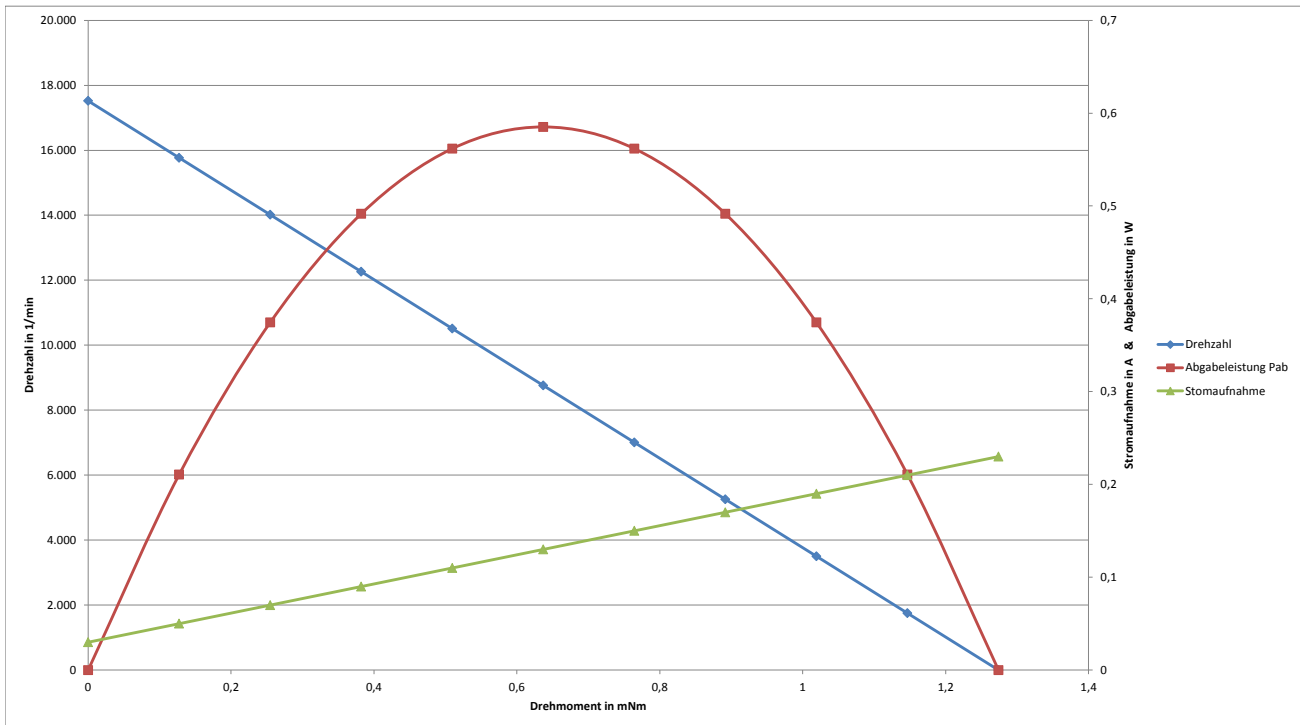


| MODEL            | VOLTAGE         |         | NO LOAD |         | AT MAXIMUM EFFICIENCY |         |        |              | STARTING |        | max. OUTPUT POWER<br>W | POLES | CAPACITOR | BRUSHES |
|------------------|-----------------|---------|---------|---------|-----------------------|---------|--------|--------------|----------|--------|------------------------|-------|-----------|---------|
|                  | Operating Range | Nominal | Speed   | Current | Speed                 | Current | Torque | Output Power | Current  | Torque |                        |       |           |         |
|                  | VDC             | VDC     | rpm     | A       | rpm                   | A       | mNm    | W            | A        | mNm    |                        |       |           |         |
| FK1215-05420-33C | 9,0-14,0        | 12,0    | 17.520  | 0,03    | 12.870                | 0,08    | 0,33   | 0,46         | 0,23     | 1,27   | 0,59                   | 3     | none      | carbon  |



Irrtum und Druckfehler vorbehalten / Errors and Omissions excepted