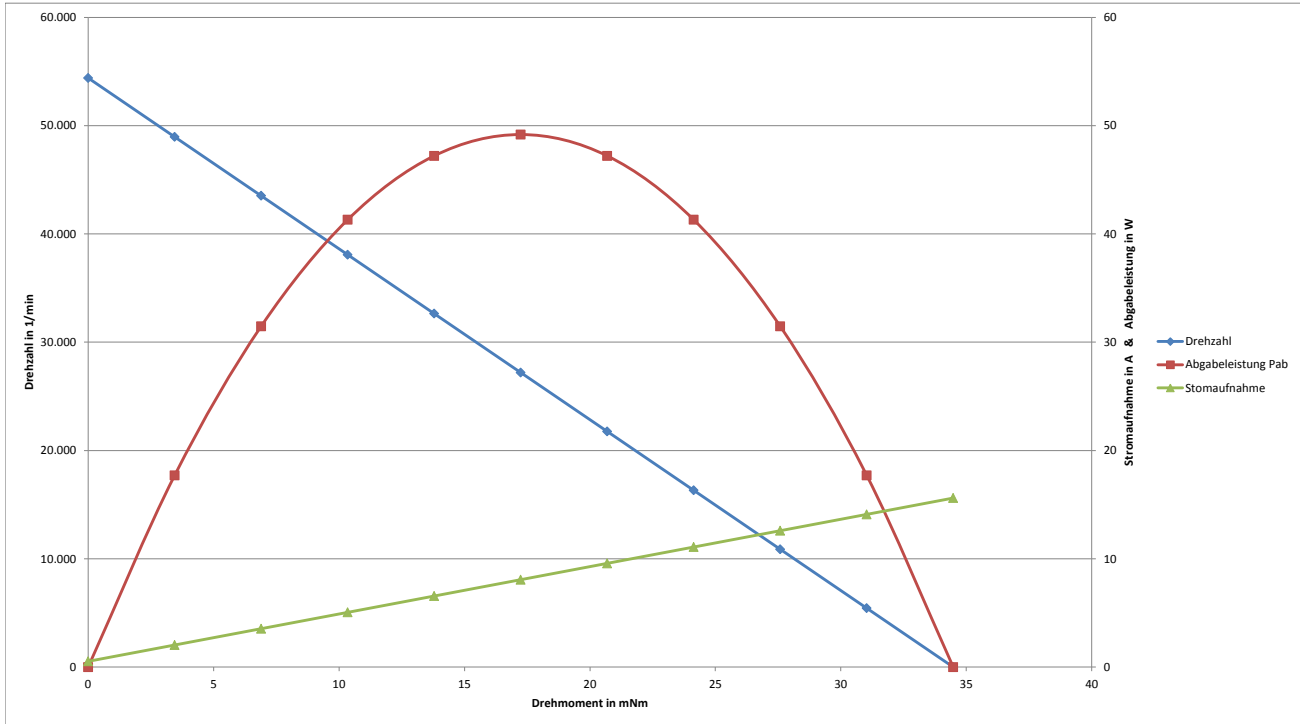
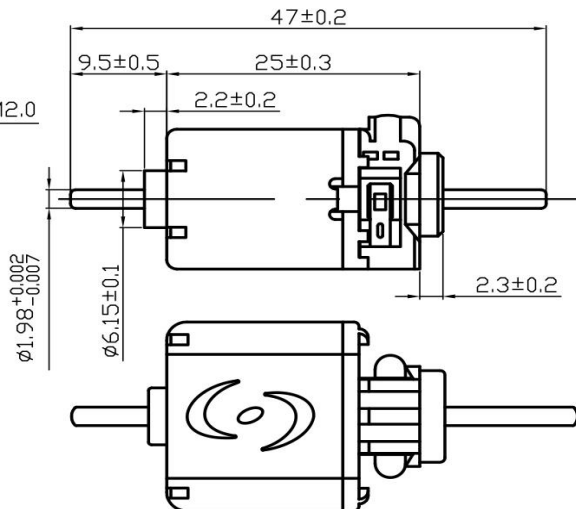
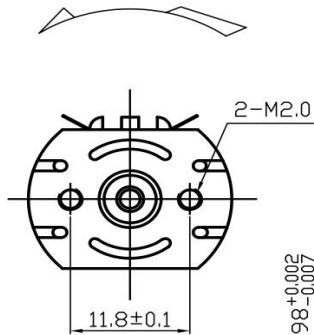


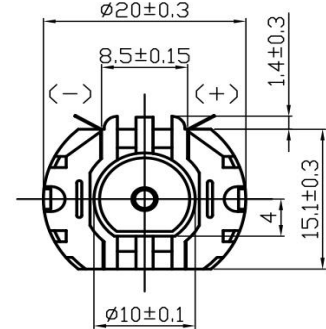
MODEL	VOLTAGE		NO LOAD		AT MAXIMUM EFFICIENCY			STARTING		max. OUTPUT POWER W	POLES	CAPACITOR	BRUSHES	
	Operating Range	Nominal	Speed	Current	Speed	Current	Torque	Output Power	Current					Torque
	VDC	VDC	rpm	A	rpm	A	mNm	W	A					mNm
SS10-2265N-47D/S	1,5-15,0	12,0	54.400	0,53	39.000	5,00	8,90	39,00	15,61	34,48	48,00	3	none	carbon



**DIRECTION OF ROTATION**



**UNIT: MILLIMETER**



Irrtum und Druckfehler vorbehalten / Errors and Omissions excepted