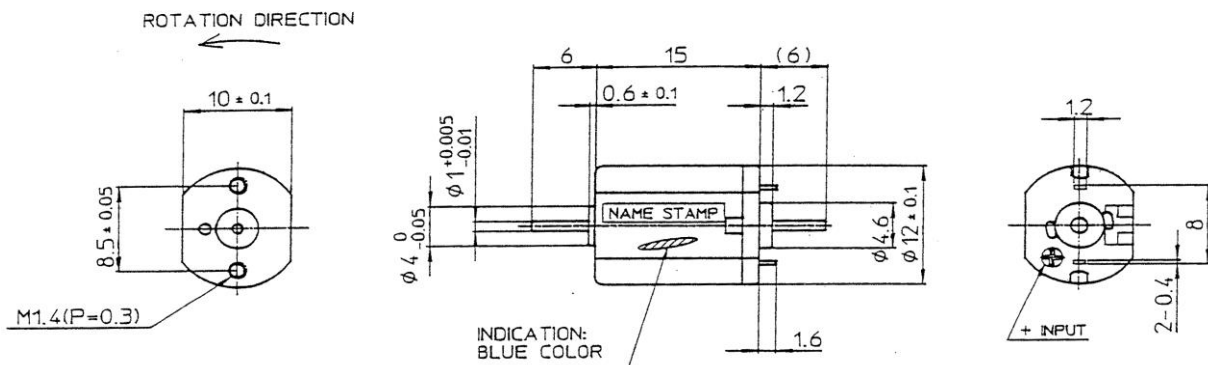
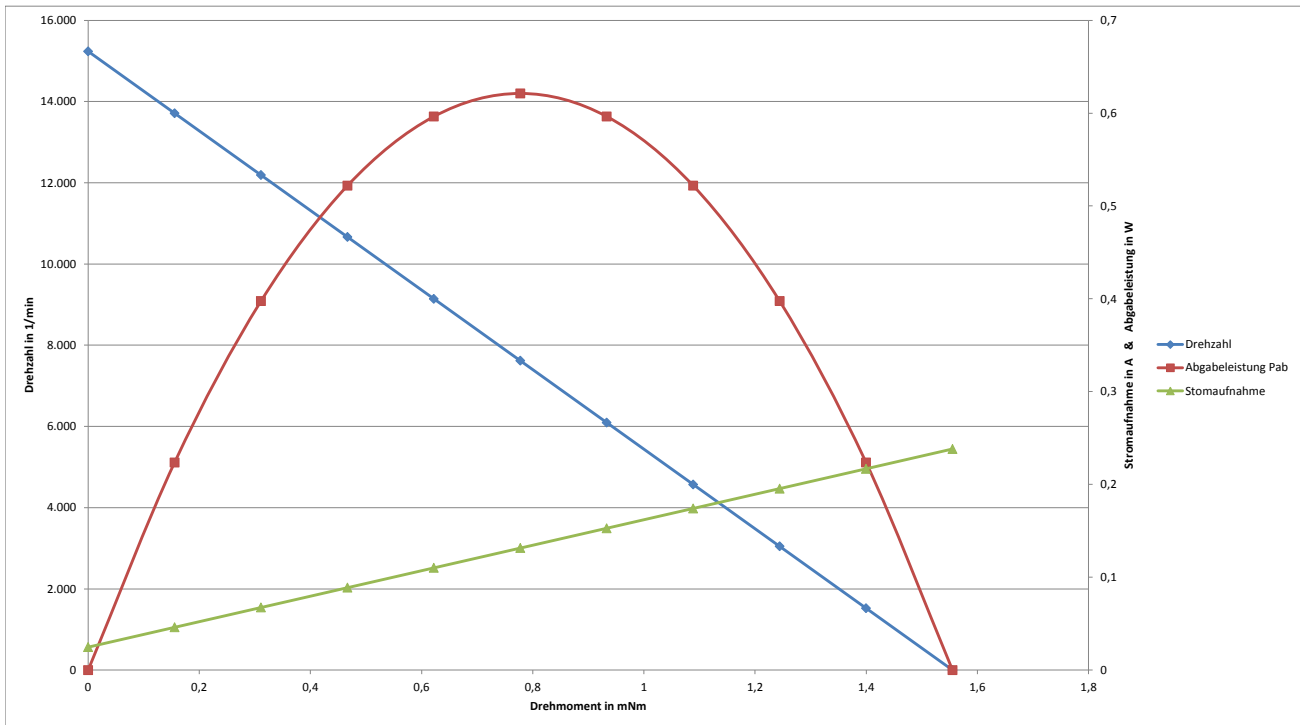


MODEL	VOLTAGE		NO LOAD		AT MAXIMUM EFFICIENCY				STARTING		max. OUTPUT POWER W	POLES	CAPACITOR	BRUSHES
	Operating Range	Nominal	Speed	Current	Speed	Current	Torque	Output Power	Current	Torque				
	VDC	VDC	rpm	A	rpm	A	mNm	W	A	mNm				
12C-109LV(24)FB	9,0-14,0	12,0	15.236	0,02	10.000	0,08	0,39	1,00	0,24	1,56	0,60	3	none	metal



Irrtum und Druckfehler vorbehalten / Errors and Omissions excepted