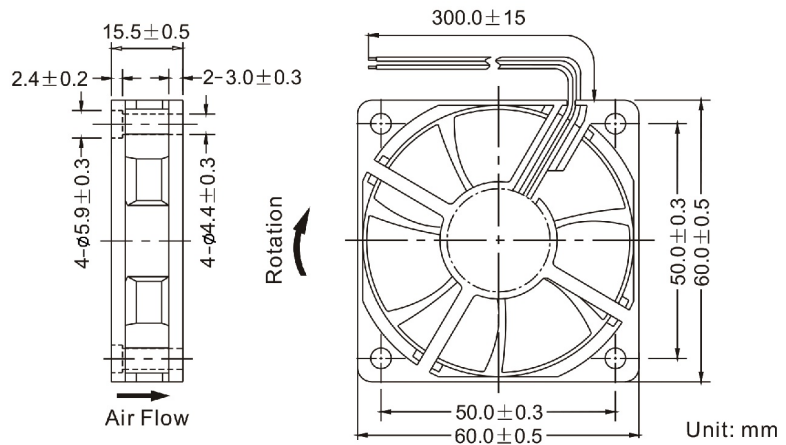
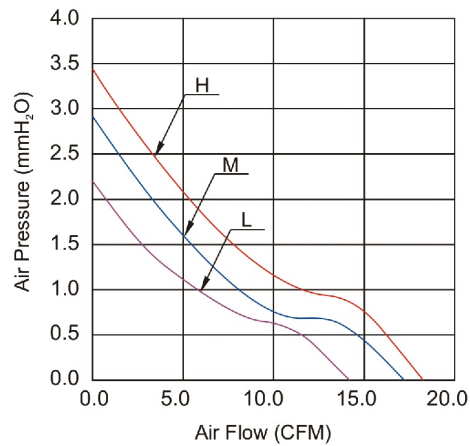


■ Dimensions Drawing



■ Performance Curves



General Specification:

- Frame and Impeller : Thermal Plastic , UL 94V-0
- Lead Wires : UL Type
(+) : Red (-) : Black
- Operation Temperature : -10°C ~ 70°C ,
35% ~ 85%RH
- Storage Temperature : -40°C ~ 80°C ,
35% ~ 85%RH



Listed Model	Bearing System	Rated Voltage	Operation Voltage	Rated Current	Rated Speed	Air Flow	Air Pressure	Noise Level	Available Features (Optional)				Weight g
		VDC	VDC	A	RPM	CFM	mmH ₂ O	dBA	Tachometer Output	Rotation Detector	Thermal Control	Pulse Width Modulation	
RDH6015S5	Sleeve	5	3.5~5.75	0.40	4,500	18.6	3.4	35	•	•			34
RDM6015S5			3.5~5.75	0.25	4,000	16.4	2.8	32	•	•			
RDL6015S5			3.5~5.75	0.15	3,500	14.4	2.2	29	•	•			
RDH6015B5	Ball		3.5~5.75	0.40	4,500	18.6	3.4	35	•	•			
RDM6015B5			3.5~5.75	0.25	4,000	16.4	2.8	32	•	•			
RDL6015B5			3.5~5.75	0.15	3,500	14.4	2.2	29	•	•			
RDH6015S1	Sleeve	12	6.0~13.8	0.17	4,500	18.6	3.4	35	•	•	•	•	34
RDM6015S1			6.0~13.8	0.15	4,000	16.4	2.8	32	•	•	•	•	
RDL6015S1			6.0~13.8	0.11	3,500	14.4	2.2	29	•	•	•	•	
RDH6015B1	Ball		6.0~13.8	0.17	4,500	18.6	3.4	35	•	•	•	•	
RDM6015B1			6.0~13.8	0.15	4,000	16.4	2.8	32	•	•	•	•	
RDL6015B1			6.0~13.8	0.11	3,500	14.4	2.2	29	•	•	•	•	
RDH6015S2	Sleeve	24	12.0~27.6	0.15	4,500	18.6	3.4	35	•	•			34
RDM6015S2			12.0~27.6	0.10	4,000	16.4	2.8	32	•	•			
RDL6015S2			12.0~27.6	0.08	3,500	14.4	2.2	29	•	•			
RDH6015B2	Ball		12.0~27.6	0.15	4,500	18.6	3.4	35	•	•			
RDM6015B2			12.0~27.6	0.10	4,000	16.4	2.8	32	•	•			
RDL6015B2			12.0~27.6	0.08	3,500	14.4	2.2	29	•	•			